

Origin Windows

Aluminium Flush Casement & Fixed Frame Windows

SPECIFICATION



External View of Sash and Frame



Sash and Frame Detail



Detailed Render Sash and Frame

Profile specification

Depth	80mm
Sightline	88mm

Details

- Fixed, side and top hung, dummy sash and gable configurations
- Face and concealed drainage
- Hinge options available to meet building regulations for emergency exits
- Restricted hinges available if required for 1st floor and above safety
- Marine grade if required
- Window couplers available
- 20 Year Guarantee

Security

- Mechanically crimped aluminium casement frame with internal beading
- Secured by design Yale locking system with night vent opening
- Hinge guards as standard for protection against intrusion

Available in the following colour finishes

- Origin's Popular Colour Range:
 - 9910G (Hipca White)
 - 7016M (Anthracite Grey)
 - 9007M (Dark Silver Metallic)
 - 7015M (Slate Grey)
 - 7021M (Black Grey)
 - 9005M (Jet Black)
- Special RAL colours
- Dual Colour
- Available in 4 woodgrain colours

Origin Frames Ltd, Sunters End, Hillbottom Road,
High Wycombe, Buckinghamshire, HP12 4HS

t +44 (0) 808 168 5816
f +44 (0) 845 450 6663
e info@origin-global.com
w origin-global.com



Size Limitations

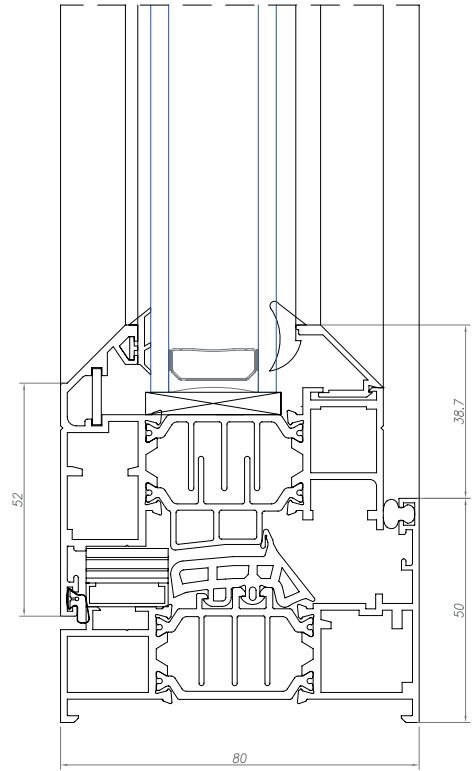
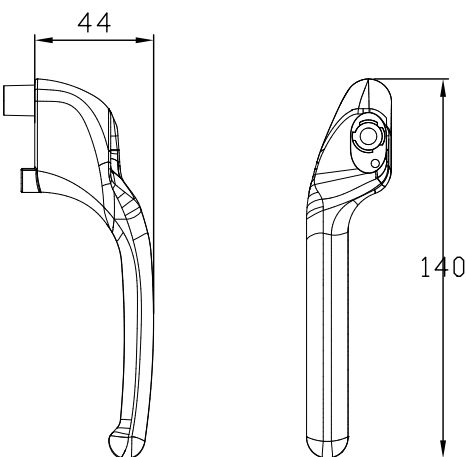
Style	Width	Height	Area (m ²)	Glass Mass (kg)
Minimum Frame Size (mm)				
Flush Casement	400	400		
Fixed Frame	350	350		
Maximum Frame Size (mm)				
Fixed Frame	3000	2100	6.3	189
Maximum Sash Size (mm)				
Top Hung	1500	1500		
Side Hung	1000	1800		
Dummy Sash	3000	2100	6.3	189

Testing

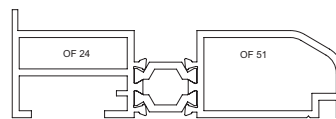
- Air permeability 600pa Class 4
- Water tightness class 9A E1050pa
- Resistance to wind load 2000pa Class A5
- 1.5 W/(m²k) U-Value

Hardware Options

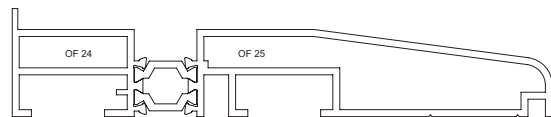
- Glass unit size 28mm
- Bead: chamfered
- Trickle vent: 4000 only
- Handles available in chrome, silver aluminium, white and black. Cranked handle as displayed in the diagram below.



Cill Sections



95mm stub cill



155mm cill



180mm cill